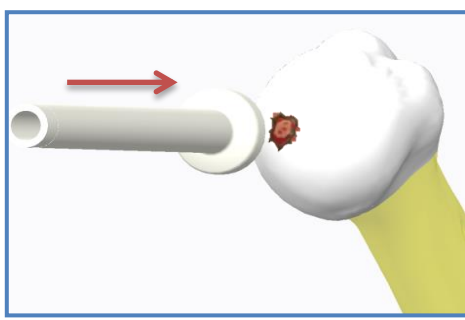
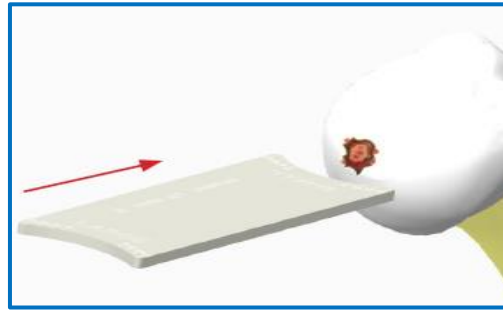


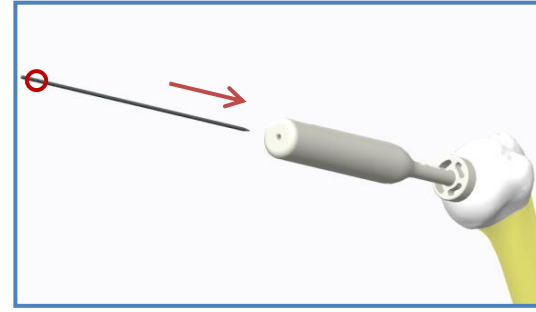
BioPoly® RS Shoulder System



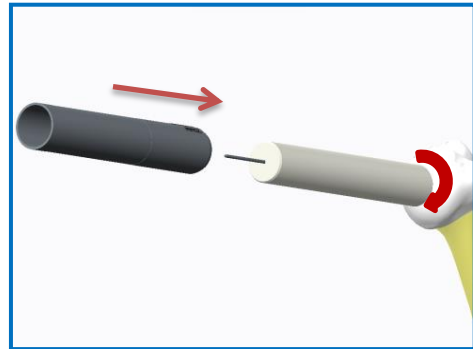
Assess defect size with trial



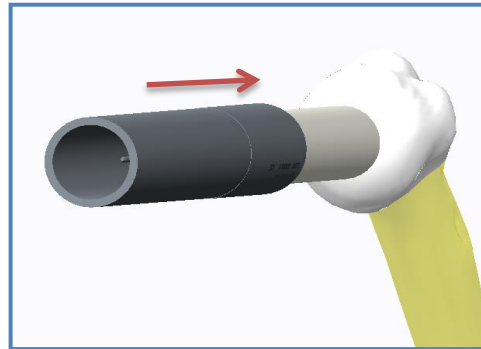
Assess defect size with gauge



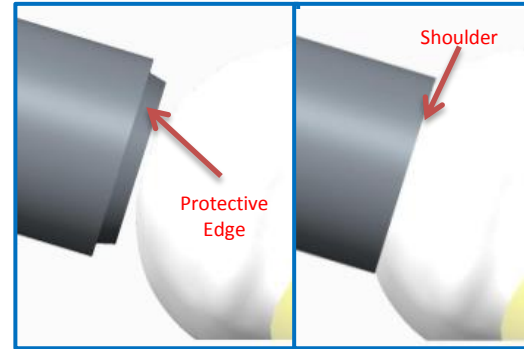
Place drill guide & insert pilot nail



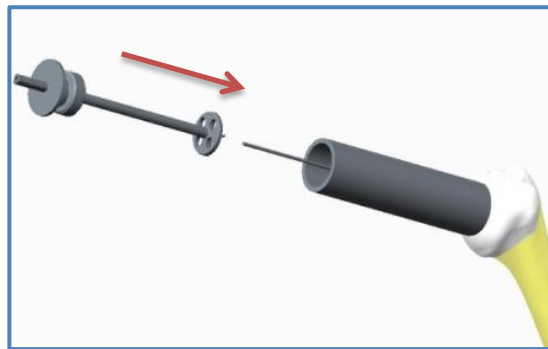
Place guide tube & cut cartilage



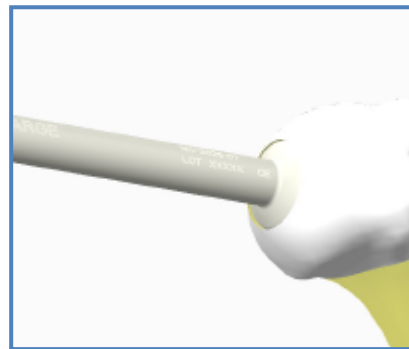
Place reaming cannula



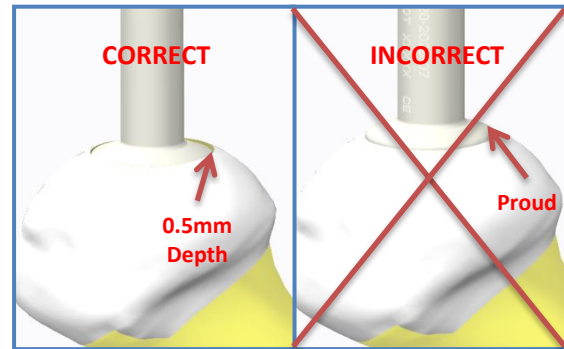
Ensure shoulder resting on cartilage



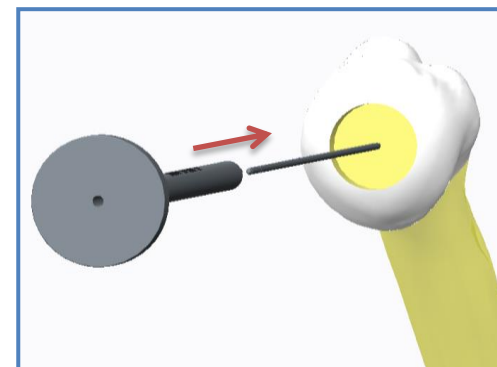
Ream



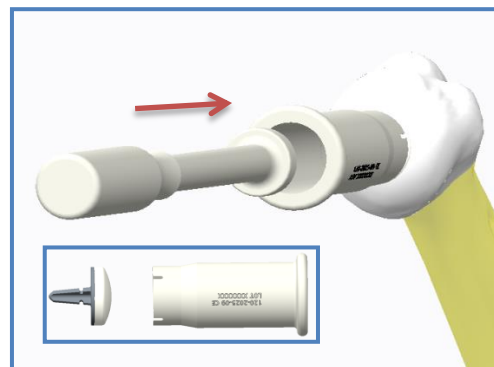
Trial



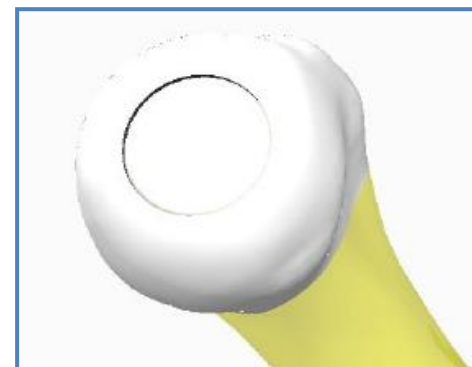
Assess



Insert punch



Place implant in inserter
Tamp into place



Implant properly placed